

DISHWASHER  
SERIES 6000



**DW60M6040BB**

Washing programs **6 13 place**

settings

Energy efficiency class **A ++**

Drying efficiency class **TO**

aesthetics **totally retractable panel**

Built-in dimensions (WxDxH in mm)

**598 x 550 x min 817 max 875**

DESIGN



CONCEALED  
COMMANDS



SENSORS  
TOUCH

COMFORT



MAXI  
DISHES



FLEXIBLE HALF  
LOAD

QUALITY



RECTANGULAR  
FILTER



CONDENSATION  
SHIELD

PERFORMANCE

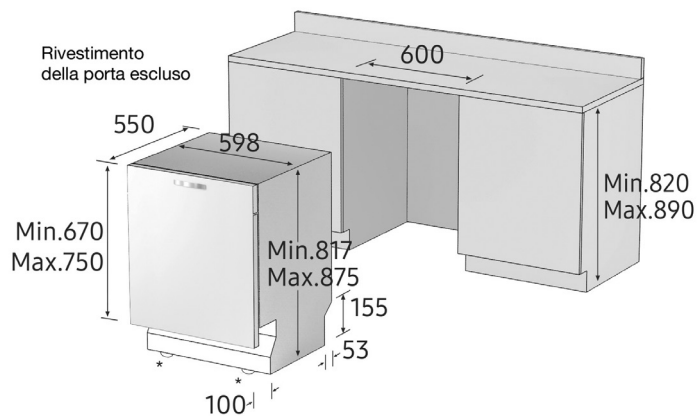
**44**

dB (A)

NOISE

**10.5 L**

WATER



The measures are in mm



**DW60M6040BB**  
cod. EAN 8806088781631

**SAMSUNG**

#### DATA SHEET

Producer	Samsung
Model code	<b>DW60M6040BB</b>
Nominal capacity (n ° of standard place settings per standard cycle)	13
Energy efficiency class	A ++
Annual Energy Consumption (kWh / year) 1	262
Energy consumption of the standard washing cycle (kWh)	0.92
Energy consumption in off and stand-by mode (W)	0.45 / 0.49
Annual water consumption (L / year) 2	2940
Drying efficiency class 3	TO
Standard washing programs 4	Echo
Standard washing time (min)	225
Noise level dB (A)	44
Template	Recessed
3rd basket	•

#### TECHNICAL FEATURES

Dimensions in cm (WxHxD)	65.5 x 87.1 x 64.5
Built-in dimensions in cm (WxHxD)	59,8x81,7-87,5x55
Net weight (Kg)	43
Voltage / Frequency	220-240 V / 50Hz

#### TECHNOLOGIES

Water Wall™	-
Wifi	-

#### SAFETY

Aquastop	•
Anti-flooding sensors	•
Automatic door opening	-
Child Lock	•

#### SPECIAL PROGRAMS

Zone Booster™	-
Speed Booster™	-
Self-cleaning 70 ° C	-

#### PROGRAMS

Automatic normal	•
Echo	•
Intensive	•
rapid	•
Delicate	•
Express	•

#### OPTIONS

1/2 flex load	•
Pre-wash	•
Delayed start	•
End of program indicator	•

#### GUARANTEES

Total	2 years
Premium Service	-

\* Compliant with EU Delegated Regulation No. 1059/2010

1 based on 280 standard cold water wash cycles and low energy consumption modes. Actual consumption depends on how the appliance is used

2 based on 280 standard washing cycles. Actual consumption depends on how the appliance is used

3 Drying efficiency class on a scale from G (minimum efficiency) to A (maximum efficiency)

4 The "Standard Program" is the washing cycle program used to wash normal dirty dishes and is the most efficient program in terms of combined energy and water consumption