

MULTIFUNCTION OVENS
FLEX DUAL COOK™



NV75N5671RS

Multifunction Oven Cook Dual Flex™

Capacity cooking compartment 75 lt

Features cooking 68: 28 + 40 Automatic Traditional

finish Steel Anti-Fingerprint

Dim. External (WxHxD mm) 595x595x570

Dim. recessed compartment (WxHxD mm) 560x572x549

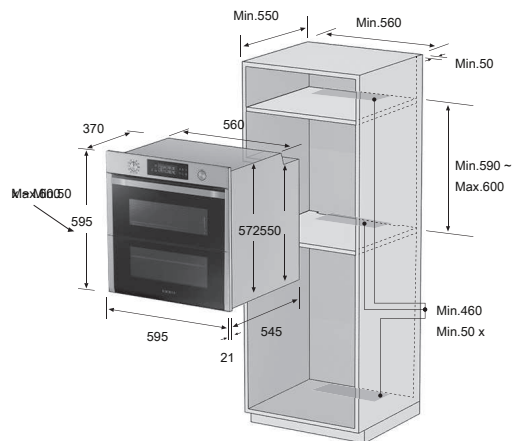
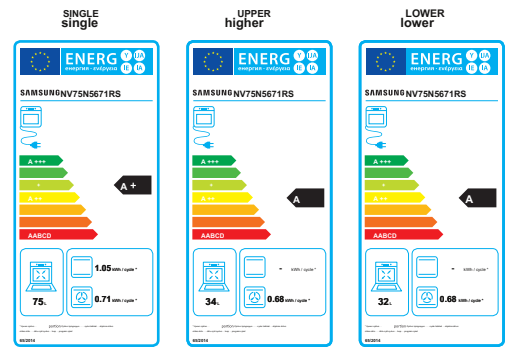
DESIGN



FEATURES



COMFORT



The measures are in mm



NV75N5671RS
cod. EAN 8801643181543

SAMSUNG

SHEET *	
producer	Samsung
Code model	NV75N5671RS
FEATURES OVEN	
Energy Class	A +
coating nook	Compartment Ceramic Enamel
design	Finish Steel Anti-Fingerprint
door	
N ° agent	4
Drop Down	•
Soft Closing	-
Inner lamp	25W / 40W (Halogen)
Position lamp Internal	Superior / Side
controls	
Height Display	85mm
(Display)	LED Ice Blue
(Type)	Touch screen and knobs Pop-Up
(Wi-Fi)	-
Cleaning mode	
pyrolytic	•
catalytic	-
steam	•
Grill Recliner	fixed
SPECIFICATIONS	
Temperature Range	
airy	30 ~ 250 ° C
Grill Single	100 ~ 270 ° C
Top or Bottom	40 ~ 250 ° C
Twin	40 ~ 250 ° C
Grande Grill	1600W / 1100W
Grill Small	1100W
fan	1200W / 1200W
input Power	3650 ~ 3950W
overvoltage Security	•
COOKING MODES	
Entire nook	
Oven mode	
traditional	30 ~ 250 ° C
airy	30 ~ 250 ° C
Eco Ventilated	30 ~ 250 ° C
Grande Grill	100 ~ 270 ° C
Grill Small	-
Eco Grill	100 ~ 270 ° C
Lower Resistance + Breezy	40 ~ 250 ° C
Resistance Superior + Convection	40 ~ 250 ° C
Lower Resistance	100 ~ 230 ° C
intensive	-
Pro-roasting	80 ~ 200 ° C

Special features	
Steam + Convection	-
Resistance Superior + Steam + Convection	-
Lower Resistance + Steam + Convection	-
Steam Cooking	-
Steam Assisted Cooking	-
Keep in Hot	40 ~ 100 ° C
Hot Plate	30 ~ 80 ° C
Defrost	-
Superior nook	
proving Pasta	-
Slow Cooking	-
Drying	-
cavity Lower	
Automatic Functions	40 EA (EA 10 Twin Mode)
Function Saving prefer	-
airy	40 ~ 250 ° C
Resistance Superior + Convection	40 ~ 250 ° C
Grande Grill	200 ~ 250 ° C
Eco Ventilated	40 ~ 250 ° C
Lower Resistance	100 ~ 230 ° C
Lower Resistance + Breezy	40 ~ 250 ° C
Steam Cooking	-
Steam Assisted Cooking	-
Both Simultaneously nook nook nook x Upper Lower	Mode 3 x 3 = 9 EA Mode
CONTROLS	
watch	•
Child safety	•
timer	•
Selection Cooking Time	•
Selecting Fine Cooking	•
Language Options	-
sound	•
DIMENSIONS	
Dimensions (L x H x D)	
external	595 x 595 x 570 mm
recessed	560 x 572 x 549 mm
Packing	694 x 660 x 660 mm
capacity	
Net volume	75 L
Volume Net (Cavity Upper / Lower)	34/32
Net Weight	47.2 Kg