
HOB GAS

60 CM

NA64H3010AS



rapid burner

Total Power **9.6 kW**

Finish **Steel AISI 304**

Dimensions (W x H in cm)
60 x 51

Dimensions recessed compartment (WxH in cm)
56 x 49



INTEGRATED
POWER



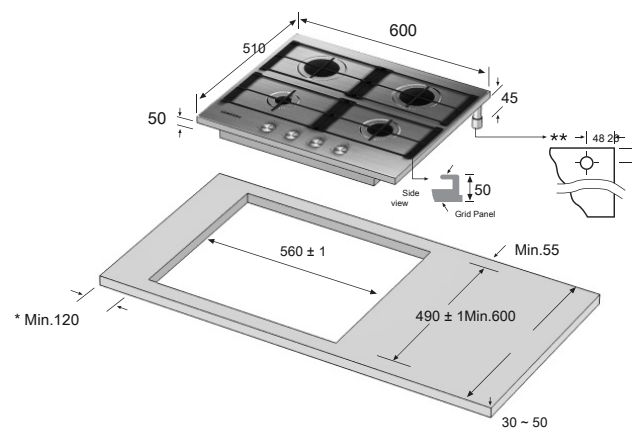
SAFETY PLUS



ADAPTERS
GPL



GRID IRON



* Minimum Distance between cutting for the collection and the wall
** the gas connection Position

The measures are in mm



NA64H3010AS

cod. EAN 8806086030960



Producer	Samsung
CODE MODEL	NA64H3010AS
Dimensions in cm (W x H)	60 x 51
Built in cm (W x H)	56 x 49
gas Fires	4
side burner	-
wok burner (kW)	-
Rapid burner (kW)	3.3
Semi rapid burners (kW)	1-2
Auxiliary burner (kW)	1
Total power (kW)	9.6
Grids	4 Cast Iron
Safety valve	•
Electronic ignition integrated	•
Finish	Steel AISI 304
CONNECTIONS	
Schuko	•
gas nozzles	•
ACCESSORIES	
WOK Support	-
nozzles LPG Kit	1